

STATUTORY INSTRUMENTS SUPPLEMENT

to The Uganda Gazette No. 35, Volume CXII, dated 26th July, 2019

Printed by UPPC, Entebbe, by Order of the Government.

S T A T U T O R Y I N S T R U M E N T S

2019 No. 52.

**THE BUILDING CONTROL (ACCESSIBILITY STANDARDS FOR
PERSONS WITH DISABILITIES) CODE, 2019**

ARRANGEMENT OF PARAGRAPHS

PART I—PRELIMINARY

1. Title
2. Application
3. Interpretation

PART II—GENERAL STANDARDS

4. Signage
5. Parking
6. Accessible route
7. Turning space
8. Obstruction in path of travel
9. Floor or ground surface
10. Doorway and door
11. Door handle
12. Ramps
13. Stairways
14. Handrail
15. Lifts

PART III—SANITARY FACILITIES

16. Toilet facilities
17. Wheelchair-accessible toilet
18. Toilet seat

19. Backrest
20. Sanitary fixture
21. Flushing control
22. Washbasin
23. Water control taps
24. Vanity slab
25. Grab rail
26. Hinged support arm
27. Hooks
28. Mirror
29. Shower cubicles
30. Hand dryer and liquid soap
31. Pegs
32. Urinals

Pit latrine rooms

33. Size of pit latrine room
34. Pathway to a pit latrine room
35. Space
36. Pit latrine room door
37. Handrails in pit latrine rooms
38. Pit latrine room seat
39. Signage
40. Corridors
41. Holes in pit latrine room
42. Floor of pit latrine room

PART IV—MISCELLANEOUS

43. Air lock
44. Non waterborne means of sanitary disposal
45. Auditorium, grandstand and halls
46. Controls, switches and power points
47. Warning signal
48. Lighting
49. Non-compliance

SCHEDULES

STATUTORY INSTRUMENTS

2019 No. 52.

The Building Control (Accessibility Standards For Persons With Disabilities) Code, 2019

(Under section 46 of the Building Control Act, 2013)

IN EXERCISE of the powers conferred upon the Minister responsible for building works by section 46 of the Building Control Act, 2013 this Code is made this 2nd day of October, 2018.

PART I—PRELIMINARY

1. Title

This Code may be cited as the National Building (Accessibility Standards for Persons With Disabilities) Code, 2019.

2. Application

This Code shall apply to public buildings.

3. Interpretation

In this Code, unless the context otherwise requires—

“Act” means the Building Control Act, 2013;

“access” means approach, entry or exit;

“accessible” means a characteristic of a building that can be reached, entered and used;

“accessible building” means a building that complies with the requirements of this Code;

“accessible route” means a walking space that complies with this Code;

“building” means a public building;

“circulation areas” includes a corridor, passageway, ramp or stairway;

“circulation space” means an unobstructed area for a minimum height of two thousand one hundred millimetres above finished floor level, within and around a building, element, fixture and fitting required for movement into and within buildings;

“clear opening width” means a clear open space of an open door through which the user of the a building passes;

“Code” means the National Building (Accessibility Standards for Persons with Disabilities) Code, 2019;

“easy-to-use” means a description of a fixture or fitting that is designed and fitted in such a way that a person with disabilities is able to use safely, comfortably, and convenient both in terms of the mechanism used for its operation and the force required to operate it;

“emergency route” means a part of an escape route which provides fire protection and protection from any other hazard to an occupant of a building and which leads to an escape door;

“escape door” means a door in an escape route which, at ground level leads directly to a street or public place or to any approved open space which leads to a street or public place;

“escape route” means an entire path of travel for a person including a person with disability, from the furthest point in a storey in a building to the nearest escape door and may include an emergency route;

“flush finish” means the finishing of two adjacent surfaces in such a way that they provide no vertical or horizontal gap, gradient or camber that might affect the safe, comfortable and convenient passage of persons with disability;

“grab rail” means a rail used to transfer a person with disability on or off a toilet, or to assist with any other function;

“handrail” means a rail used in circulation areas to assist continuous and safe movement;

“impaired” means lower than generally accepted optimum performance in a human ability, which might be a temporary or permanent condition;

“impairment” means an indicator of any one impaired ability;

“kerb cut” means a link between a road traffic surface and an elevated or lowered pedestrian pavement;

“landing” means a platform between two consecutive flights of a stairway or ramp;

“Light Reflectance Value (LRV)” means measurement using a spectrometer, of the light reflected from a surface in standard conditions;

“means of access” means a means of entering a building, site of a building or a building complex and safe egress from a building site of a building or a building complex or facility;

“obstruction” means—

- (a) anything impeding or preventing passage or progress in relation to a building, or facility, which denies or removes from a person with disability, any supporting or enabling facility for his or her functioning within the building or facility; or
- (b) an obstacle that unfairly limits or restricts a person with disability from enjoying the opportunities provided within the building or facility on equal terms with a person without disability;

“occupancy” means particular use or type of use to which a building or a portion of a building is normally put or intended to be put;

“path of travel” means a circulation route or circulation space normally used by a person using the site, building or facility, including all external and internal routes and spaces in common usage, and the entrances and exits within these routes and spaces;

“person with disability” means a person with disability as defined in the Person With Disabilities Act 2006;

“public building” means a building that is accessible to the public;

“ramp” means an internal or external walkway with a slope between 1:20 and 1:12 in the direction of travel;

“rational assessment” means assessment by a competent person of the adequacy of the performance of a solution, in relation to requirements including as necessary, a process of reasoning, calculation and consideration of accepted analytical principles, based on a combination of deductions from available information, research and data, appropriate testing and service experience;

“rational design” means a design by a competent person involving a process of reasoning and calculation and which may include a design based on the use of a standard or other suitable document;

“sanitary fixture” means a receptacle to which water is permanently supplied, and from which waste water or soil water is discharged;

“secondary entrance” means an entrance that is not a main

entrance, that leads directly to—

- (a) a reception area or point that provides information about the building or services within it;
- (b) the primary stairway or lift or foyer;

“site” means an erf, lot, plot, stand or other piece of land on which a building has been, is being or is to be erected;

“space” means a definable area;

“storey” means a part of a building which is situated between the top of any floor and the tops of the floor next above it or, if there is no floor above it, a portion between the floor and the ceiling above it in relation to a building;

“tactile” means something that can be perceived by touch;

“transfer space” means space required by a wheelchair user to transfer to or from a vehicle, toilet or seat;

“turning space” means circulation space in which a wheelchair can turn through three hundred and sixty degrees; and

“wheelchair-accessible toilet” means a toilet designed to include use by a wheelchair user.

PART II—GENERAL STANDARDS

4. Signage

(1) A facility in a building used specifically by a person with disability shall be clearly marked with an international symbol for access, and the international symbol as prescribed in Figure 1 and Figure 9 in the Schedule and shall be exhibited—

- (a) at the main entrance of the facility, or any other accessible position in the building; or

- (b) in an accessible position to indicate to a person with disability the route to the exit of the facility.

(2) A sign under this paragraph shall indicate the direction and name of the facility and shall have a height of lettering of not less than fifty millimetres.

5. Parking

(1) There shall be one parking space reserved for a person with disability at a work place.

(2) Notwithstanding subparagraph (1) where provision has been made within a building or on the site—

- (a) at least one parking space per twenty five parking spaces or part thereof and at least twenty percent of the spaces at rehabilitation and medical facilities shall be provided for parking of vehicles of a person with disabilities;
- (b) a parking space provided for a vehicle used by a person with disability shall be—
 - (i) of a suitable length;
 - (ii) as prescribed in Figure 2 in the Schedule; and
 - (iii) situated on and accessed from a surface that is not steeper than 1:50;
- (c) a parking space provided for a vehicle used by a person with disability shall be located within fifty metres of an accessible entrance;
- (d) a parking space provided for a vehicle used by a person with disability shall be clearly demarcated as being intended for the use of a person with disability only;

- (e) an entry or routing to a parking space designated for a person with disability shall be provided with a clear height of at least two thousand four hundred millimetres and shall allow for the entry of a vehicle suitable for use by a wheelchair user, particularly one that has a hoist to carry the wheelchair on top of the car;

(3) A parking space designated for a vehicle used by a person with disability shall be identified by a vertical sign incorporating the international symbol and shall also be clearly painted on the road surface as prescribed in Figure 2 in the Schedule.

6. Accessible route

(1) An accessible route shall form part of an external and internal circulation route and shall be as prescribed in Figure 2 in the Schedule.

(2) There shall be a means of access suitable for use by a person with disability from outside of a building and within the building.

(3) There shall be at least one accessible route, which shall be provided within the boundary of the site from a public transportation stop, accessible parking space, passenger loading zone, public street and pavement to the accessible building entrance which it serves and the facility inside the building.

(4) The clear width of the walking surface shall—

- (a) not be less than one thousand two hundred millimetres;
and
- (b) not be reduced by protruding object.

(5) An accessible entrance to a building shall have at least one doorway in accordance with the specifications in paragraph 10.

(6) A revolving door, a revolving gate or a turnstile shall not form part of an accessible route.

(7) A pause area, with suitable seating shall be provided adjacent to an accessible route at an interval that does not exceed twenty five metres.

7. Turning space

(1) A turning space allowance for a wheelchair, guide dog or a person on crutches shall be an unobstructed circle with a minimum of one thousand five hundred millimetres in diameter inclusive of toe and knee clearances as prescribed in Figure 3 and Figure 4 in the Schedule.

(2) A door shall not swing into a turning space.

8. Obstruction in path of travel

(1) A protruding object shall not reduce the clear width required for an accessible route and a path of travel shall be as prescribed in Figure 4 and Figure 5 in the Schedule.

(2) A hanging sign, light, awning and an object that protrudes into a circulation space shall have a clearance of at least two thousand millimetres above the trafficable surface and one thousand nine hundred eighty millimetres in doorways.

(3) A window or door shall not open across a walkway, corridor stair or ramp.

(4) A doorstep shall be positioned in a way that a door shall open to its maximum and shall not create a hazard.

(5) A wall-mounted fire extinguisher, hose reel, telephone litter bin or any other wall-mounted fitting shall be—

- (a) designed to be seen easily;
- (b) shielded or recessed to prevent injuries; and
- (c) accompanied by a feature that warns of the presence of the potential hazard that is possible to detect by a person using a white cane or stick.

(6) A dished channel shall not be constructed within the boundaries of a path.

(7) A drainage grating that is within the boundaries of a path shall be—

- (a) set flush with the surface of the path;
- (b) placed so that its longitudinal element is placed perpendicular to the main walking direction and the gap between them shall not exceed thirteen millimetres.

(8) Where an identified parking for a person with disability is provided, a kerb cut that has a slip-resistant finish and gradient that does not exceed 1:10 shall be provided immediately adjacent to the bay.

9. Floor or ground surface

(1) A floor or ground surface shall form an integral part of the accessible route throughout a site internally and externally as part of a continuous path of travel.

(2) A floor or ground surface shall be stable, firm, and slip-resistant under wet or dry conditions.

(3) An abutment of a surface shall have—

- (a) a smooth transition;
- (b) a design of 0 millimetres; and
- (c) a construction transition of—
 - (i) 0 ± 3 millimetres vertical;
 - (ii) 0 ± 5 millimetres,
provided the edges have a bevelled or rounded edge to reduce the likelihood of slipping.

(4) The texture of a surface shall be traversable by a wheelchair user, a person with an ambulant or sensory disability.

(5) Where a carpet or any soft flexible material is used on the ground or floor surface—

- (a) the pile height or thickness shall not exceed six millimetres and the carper backing thickness shall not exceed four millimetres;
- (b) exposed edges or floor covering shall be securely attached to the floor surface and shall have trim along the entire length of exposed edge; and
- (c) at the leading edge, carpet trim and any other soft flexible material shall have a vertical face not higher than three millimetres or a rounded bevelled edge not higher than five millimetres or above that height a gradient of 1:8 to a total maximum height of ten millimetres.

(6) Matting recessed within a continuous accessible path of travel—

- (a) where of metal and bristle type construction or similar, its surface shall not be more three millimetres if vertical or five millimetres if rounded or bevelled, or above or below the surrounding surface;
- (b) where of a mat or carpet type material, shall have the fully compressed surface level with or above the surrounding surface with the level difference of three millimetres if vertical or five millimetres if rounded or bevelled.

(7) An opening in a floor finish or ground surface shall not—

- (a) exceed thirteen millimetres in diameter if circular;
- (b) where an opening is elongated, it shall not exceed thirteen millimetres wide with the long dimension perpendicular to the dominant direction of travel; and
- (c) where slotted openings are less than eight millimetres, the length of the slots may continue across the width of the path of travel.

(8) A vertical change in level between two floor surfaces or at thresholds, shall have a flush finish and shall not exceed five millimetres in height.

(9) Where a surface is cambered for drainage purposes, the camber shall not exceed 1:50.

(10) A cobble, gravel sand or other raised or loose finish shall not form part of an accessible route.

10. Doorway and door

(1) A doorway shall allow free access for a wheelchair user.

(2) A clear opening shall be at least nine hundred millimetres when approached along a line that is perpendicular to the opening as is prescribed in Figure 6, Figure 7, Figure 8 and Figure 9 in the Schedule.

(3) Where a two-leaf door is used, the clear opening provided by the leading leaf shall be at least nine hundred millimetres when approached along a line perpendicular to the opening as prescribed the Schedule.

(4) The minimum access dimensions shall enable a wheelchair user to make a ninety degree turn.

(5) Where a person in a wheelchair is required to open a door toward the wheelchair, a nib of at least four hundred fifty millimetres shall be provided at the handle side of the door as prescribed in Figure 9 in the Schedule.

(7) A sliding door shall be installed in a place where a hinged door hinders circulation or maneuverability.

(8) Where a revolving door, turnstile or other barrier is installed, an alternative means of access shall be installed.

(9) A door under this paragraph shall be light and easy to open for elderly, children and people with weak arms.

(10) The edge of the door frame shall be blunt to avoid injuring persons with visual impairment.

(11) Glass doors shall be provided with a horizontal markings at one thousand two hundred and fifty millimetres to one thousand six hundred millimetres from floor surface to warn persons with visual impairment.

(12) Door-to-door frame should be painted in a contrasting colour from the surrounding wall for easy identification by persons with visual impairment.

(13) A door shall be labelled in contrasting colours, large print format and preferably engraved or brailled.

(14) A frequently used door shall open automatically and be equipped with a failsafe system that enables the door to open under emergency conditions.

11. Door handle

(1) A door handle fitted to a door leaf within an accessible route shall be of the lever type, with a lever at least one hundred fifty millimetres long and shall be installed at a height that does not exceed one thousand millimetres above floor level as prescribed in Figure 9 in the Schedule.

(2) A round door knob shall not be used at a facility designated for use by a person with disability.

(3) A door handle shall be horizontally aligned.

(4) Ironmongery with a sharp protruding edge shall not be used for a door handle used by a person with disability.

12. Ramps

(1) A ramp or series of ramps shall provide a safe, comfortable and convenient route for a wheelchair user.

(2) A ramp shall be provided where level access cannot be achieved and shall be accompanied by stepped access.

(3) A ramp provided under this Code shall—

- (a) have a gradient measured along the centre line, that is not steeper than 1:12 as prescribed in Figure 10 in the Schedule;
- (b) have a clear, trafficable surface not less than one thousand one hundred millimetres wide;
- (c) have a surface in accordance with the specifications prescribed in paragraph 9;
- (d) have a landing at the top and bottom of each ramp of not less than one thousand, five hundred millimetres in length clear of a swing door and of a width of not less than that of the ramp;
- (e) have a handrail on both sides of the ramp or, where the width is greater than two thousand four hundred millimetres, an immediate handrail at one thousand, one hundred millimetres in accordance with paragraph 16 on the run;
- (f) comply with the requirements between landings as prescribed Figure 10 in the Schedule; and
- (g) a series of connected ramps shall not have a combined vertical rise of more than three thousand six hundred millimetres the ramps shall be staggered by the width of the ramp.

(4) A landing of a step ramp on the accessible route shall not overlap a landing for another ramp.

(5) A door leaf or window shall not open onto a ramp.

(6) A camber or banking on a walkway or ramp shall not exceed one thousand five hundred millimetres.

(7) The means of limiting inadvertent access to an area shall be indicated where the clear height of the area below a soffit is less than two thousand one hundred millimetres and is not enclosed.

13. Stairways

(1) A stairway constructed under this Code shall comply with the following requirements—

- (a) the width of a stairway, measured to an enclosing wall or balustrade shall be at least nine hundred millimetres;
- (b) a landing that serves two flights of stairs in the same straight line shall be the length of at least one thousand one hundred millimetres;
- (c) the rise of each tread step shall be of the same height and shall not exceed one hundred seventy millimetres;
- (d) the solid risers shall be provided in all accessible routes;
- (e) a stairway shall be provided with handrails on both sides;
- (f) the maximum height allowed in a flight of stairs, between landings shall not exceed one thousand five hundred and thirty millimetres;
- (g) the stairway shall not include any winders; and
- (h) a spiral stairway shall not form part of an accessible route.

(2) The nosing on a stairway shall effectively contrast with its immediate surroundings and the minimum dimensions of each nosing shall be forty millimetres by forty millimetres.

(3) Outdoor stairs and an outdoor approach to stairs shall be so designed that water will not accumulate on a walking surface.

(4) A tactile marking with contrasted colours shall be placed at the top and bottom of the stairs to alert the blind persons or persons with visual impairment or low vision.

(5) The space below the stairs shall be blocked out completely by protective rails or marked with tactile surface.

14. Handrail or balustrade

(1) The design and construction of a handrail or balustrade shall be as prescribed in Figure 10 in the Schedule and in accordance with the following requirements—

- (a) a handrail or a balustrade shall not encroach into required calculation spaces;
- (b) a handrail or balustrade shall have an elliptical gripping surface profile that is approximately fifty millimetres wide and forty millimetres deep, or a circular profile of a diameter not less than thirty millimetres and not more than fifty millimetres;
- (c) the height to the top of a handrail or balustrade from the nosing of the tread of stairs or from the surface of a ramp shall be in the range of height of one hundred seventy millimetres to one thousand millimetres and shall remain consistent along the length;
- (d) a handrail or balustrade shall be securely fixed and rigid;
- (e) a handrail or balustrade shall have no vertical sections;
- (f) the surface of a handrail, balustrade, wall, or any surface adjacent to the surface of a handrail or wall shall be free of any sharp or abrasive elements;
- (h) the clear width between a handrail and an adjacent wall shall be at least fifty millimetres and the clearance shall extend above the top of the handrail by not less than six hundred millimetres;
- (i) a handrail or balustrade shall—
 - (i) extend three hundred millimetres horizontally beyond the top and bottom of a ramp or stairway;

- (ii) have its end turned through a total one hundred eighty degrees or to the ground, or returned fully to the end post or wall face;
- (iii) where a stairway is wider than two thousand four hundred millimetres a handrail shall be provided at no more than two thousand four hundred millimeter intervals and painted in contrasting colours;
- (j) a handrail or balustrade shall be continuous between landings, where it does not create a hazard; and
- (k) a handrail or balustrade shall be supported centrally from below with not less than fifty millimetres between the underside of the handrail and the top of the support.

(2) If a balustrade is required at a height greater than the handrail, both shall be provided.

15. Lifts

(1) A lift includes a passenger lift and a through-floor lift where—

- (a) a passenger lift that serves all the storeys of a building that can be accessed by the stairway; or
- (b) a through-floor lift may be used to serve a small building of an area greater than one hundred square metres as an alternative to a passenger lift.

(2) A passenger lift shall—

- (a) have a minimum internal dimension of one thousand one hundred millimetres in width and one thousand four hundred millimetres in depth, clear of surface finishes;

- (b) have a doorway with an unobstructed width of not less than nine hundred millimetres;
- (c) be fitted with horizontal handrails the full length of the lift car sides at a height between eight hundred and seventy millimetres and one thousand millimetres above the floor level of the lift;
- (d) have a mirror on the top half of the rear wall equal to the width of the lift to enable a wheelchair user to back out of the lift where the lift has internal dimensions less than one thousand five hundred millimetres in width and two thousand millimetres in depth;
- (e) have a clear circulation space of not less than one thousand five hundred millimetres by one thousand five hundred millimetres at the entrance of the lift on each floor;
- (f) have audible and visible warnings in the lobby and lift to indicate the lift approaching, the arrival of the lift, the lift doors opening, the lift doors closing, the floor requested and at which floor the lift stops;
- (g) have control buttons, including emergency control that are in accordance with paragraph 37;
- (h) have illuminance on the control panel that is not less than one hundred fifty lux;
- (i) stop level with the landing on each floor that they serve;
- (j) have tactile identification, both raised numbers on buttons, in contrasting light and dark colours, and braille lettering adjacent to the number, which shall be provided at the control panel; and
- (k) have lift doors in accordance with paragraph 10.

PART III—SANITARY FACILITIES

16. Toilet facilities

(1) A building under this Code shall have one or more toilets or unisex toilet suitable for use by for a person with disability, provided that—

- (a) the first toilet shall be a unisex toilet facility, for use by a person with disability;
- (b) in a building of occupancy where—
 - (i) a bedroom is provided with a private toilet facility, at least one bedroom with provision for a private toilet facility out of every twenty five bedrooms, shall be fitted with a toilet, washbasin, bath or shower accessible to a person with disability; and
 - (ii) a bedroom is not provided with a private toilet facility, at least one bathroom for every twenty five bedrooms shall be provided with a toilet and a washbasin accessible to a person with disability on each floor, and at least one bathroom shall be provided with a bath or a shower accessible to a person with disability, regardless of the number of bedrooms in the hotel, lodging house, hostel or hospitality accommodation;
- (c) a public building other than a building of occupancy shall have at least one toilet accessible to a person with disability within every group of toilets provided;
- (d) a person with disability shall not be required to travel further than a person without disability to a toilet accessible to a person with disability; and
- (e) a person with disability shall not be required to travel a distance of more than forty five metres on the same floor, or twenty five metres where horizontal and vertical distances

are combined, in order to reach a toilet accessible to him or her, regardless of the number of toilets available to a person with disability.

(2) A door into an accessible toilet shall have a clear opening of at least nine hundred millimetres.

17. Wheelchair-accessible toilet

(1) A wheelchair-accessible toilet shall be as prescribed in Figure 11 of the Schedule and—

- (a) the door of the compartment that contains a wheelchair accessible toilet facility shall—
 - (i) open outwards unless a one thousand five hundred millimetres diameter area that is clear of all fittings, fixtures and the line of the door swing is provided;
 - (ii) have outward-opening doors with a mechanism that holds the door in a closed position without the use of a latch;
 - (iii) be fitted with a grab rail on the inside and an-easy-to-use locking; and
 - (iv) have a leaf that is openable from outside by the use of a suitable device in case of emergency and the leaf shall be fitted with a suitable means of indicating whether the compartment is occupied.

(2) The minimum finished wall-to-wall dimensions of the compartment shall be not less than one thousand nine hundred millimetres by two thousand three hundred millimetres.

(3) A distance of not less than four hundred fifty millimetres and not more than five hundred millimetres shall be provided between the centre line of the toilet and the nearer side of the compartment, and a suitable grab rail shall be fixed to each side wall and rear wall.

(4) The distance from the front edge of the toilet to the rear wall of the compartment shall be not less than six hundred ninety millimetres.

(5) The top surface of the seat of a toilet shall not be less four hundred eighty millimetres and not more five hundred millimetres above the floor level.

18. Toilet seat

(1) A toilet seat of a wheelchair accessible toilet shall—

- (a) be of the full-round type, not open fronted, with minimum contours on the top surface;
- (b) be securely fixed in position;
- (c) be load-rated to one hundred fifty kilogrammes; and
- (d) have a minimum luminance contrast of thirty per cent with the background against which is viewed.

(2) Unless the toilet is provided with a special back rest, the lid and seat, when raised to an upright position, shall remain in a upright position.

19. Backrest

(1) Where a special backrest is provided for a wheelchair accessible toilet, it shall—

- (a) be capable of withstanding a force in any direction of one thousand one hundred Newtons;
- (b) have a height, at the lower edge of backrest to the top of the water closet seat, of one hundred twenty millimetres to one hundred fifty millimetres;
- (c) have a vertical height of one hundred fifty millimetres to two hundred millimetres and a width of three hundred fifty millimetres to four hundred millimetres; and

- (d) the front edge of the centre of the backrest be positioned to achieve an angle of between ninety five degrees to one hundred degrees back from the seat hinge.

20. Sanitary fixture

(1) A sanitary fixture or fitting in a toilet for a person with disability shall be easy to use and easily accessible to a person in a wheelchair.

(2) A hand operated metering faucet shall remain open for a minimum of ten seconds.

21. Flushing control

(1) A flushing control shall be user activated, either hand operated or automatic.

(2) Where a hand operated flushing control is used, it shall be positioned on the outer side, on top of or behind the toilet, operable from the transfer space and shall be easy to use.

(3) The position of the flushing control under this paragraph shall not be within the area required for any grabrail or backrest.

(4) A flushing control shall be proud of the space and activate the flush before the button becomes level with the surrounding surface.

22. Washbasin

A washbasin within the compartment shall—

- (a) be mounted without legs or pedestal, and the height from the floor to the top edge of the washbasin shall not be more than eight hundred twenty millimetres; and
- (b) have a vertical clearance of six hundred fifty millimetres from under the basin to the floor, measured at a point not less than one hundred sixty millimetres from the front of and under the basin.

(2) Exposed hot water supply pipes shall be insulated or located so as not to present a hazard.

23. Water control taps

A water control tap under this Code shall—

- (a) have lever handles, sensor plated or similar controls;
- (b) have lever handles of not less than fifty millimetres clearance from an adjacent surface;
- (c) where separate taps are provided for hot and cold water, the hot water tap shall be placed to the left of the cold water tap for horizontal configurations, or above the cold water tap for vertical configurations; and
- (d) where hot water is provided, the water shall be delivered through a mixing spout.

24. Vanity slab

Where a vanity top is provided, it shall be—

- (a) at a height of eight hundred millimetres above the floor;
- (b) with a minimum width of one hundred twenty millimetres beside the basin;
- (c) with a minimum depth of three hundred millimetres from the front to the rear wall; and
- (d) with no encroachment into any knee and toe clearance space for a minimum width of eight hundred fifty millimetres centered on the basin.

25. Grab rail

(1) A grab rail suitable for use by a person with disability shall be provided at the side and back of the toilet.

(2) A grab rail under this Code shall comply with the following—

- (a) the grab rail shall have an outside diameter of between thirty millimetres and forty millimetres;
- (b) exposed edges and corners of grab rails shall have a radius of not less than five millimetres;
- (c) the fastenings, materials and construction of grab rails shall be able to withstand a force of one thousand one hundred Newtons applied at any position and any directions without deformations or loosening or rotations of the fastenings or fittings;
- (d) the clearance between a grab rail and the adjacent wall surface or other obstruction shall be no less than fifty millimetres and not more than sixty millimetres;
- (e) the clearance above a horizontal grab rail shall extend above the top of the grab rail by not less than six hundred millimetres;
- (f) the clearance below a horizontal or angled rail shall be a minimum of fifty millimetres except at fixing points; and
- (g) the back and side grab rail may be an integral unit.

(3) A grab rail shall be fixed so that there is no obstruction to the passage of the hand along the top two hundred seventy degree arc of horizontal and angled grab rails.

(4) The passage of the hand for the full length of a vertical grab rail shall not be obstructed.

26. Hinged support arm

A hinged support arm may in addition to a grab rail be provided to the transfer side of a toilet under this Code, at three hundred millimetres from the centre of the toilet.

27. Hooks

(1) A door hook shall be mounted at a height of one thousand one hundred millimetres and one thousand six hundred millimetres above finish floor.

(2) A door hook for a person with disability who crawls shall be mounted at a height of seven hundred millimetres to nine hundred millimetres.

(3) Where provided, a coat hook shall be installed between one thousand three hundred and fifty millimetres and one thousand five hundred millimetres.

28. Mirror

(1) A mirror in a sanitary facility under this Code shall be located either above or adjacent to the washbasin.

(2) Where provided, a vertical mirror with a reflective surface of not less than three hundred fifty millimetres wide shall extend from a height of not more than nine hundred millimetres to a height of not less than one thousand eight hundred fifty millimetres above the plane of the finished floor.

29. Shower cubicles

(1) A bath or shower cubicle provided for the use of a person with disability shall be designed to enable a wheelchair user to roll into the cubicle without being obstructed by a kerb or change of level.

(2) A floor surface to a bath or shower cubicle provided for the use of a person with disability shall be firm and slip resistant under wet or dry conditions.

30. Bathroom

(1) There shall be a separate bathroom for a person with disabilities with a minimum size of one thousand millimetres by two thousand millimetres to enable a wheelchair user enter with ease.

(2) The bathroom shall be constructed with a seat at an appropriate height between four hundred fifty millimetres to five hundred millimetres high from the floor surface with double handrails mounted at different heights with the maximum at nine hundred millimetres.

(3) The surface floor of the bathroom shall be of non-slip materials with a minimum door opening of nine hundred millimetres wide.

(4) A water tap shall be mounted at an approximate maximum height of nine hundred millimetres high with a landing area of the bathroom of a minimum dimension of one thousand five hundred millimetres by one thousand seven hundred millimetres.

(5) A pathway to the bathroom shall be gentle, non-slippery and connected with a ramp where necessary.

(6) There shall be directional signs to the location of the bathroom in contrasting colours.
and the signs shall be supplemented by engraved letters, or braille.

(7) The accessible bathroom may be used by anybody else as long as it is kept clean.

31. Hand dryer and liquid soap

The hand dryer and liquid soap outlet for the low sink should be mounted at an approximate height of five hundred millimetres from floor surface, and for high sink at nine hundred millimetres.

32. Pegs

(1) A peg shall be mounted at a height of one thousand one hundred millimetres and one thousand six hundred millimetres respectively above finish floor.

(2) For crawling person with disability, a peg shall be mounted at a height of seven hundred millimetres to nine hundred millimetres.

33. Urinals

(1) A person who constructs a urinal shall designate an area for use by a person with disability and wide enough for a wheelchair user.

(2) The urinal shall be stall-type or wall-hung with an elongated rim to make it user-friendly to a wheelchair user.

(3) There shall be at least three urinals mounted at different heights with the highest at nine hundred millimetres above the finished floor to cater for different disabilities.

(4) Clear floor surface of one thousand five hundred millimetres by eight hundred millimetres shall be provided in front of urinals to allow forward approach by a wheelchair user.

(5) Where need be, a ramp leading to the urinals should be constructed using non-slippery materials.

Pit latrine rooms

34. Size of pit latrine room

(1) The size of the pit latrine room shall be of a minimum dimension of two thousand one hundred millimetres by one thousand eight hundred millimetres.

(2) The size of the pit latrine room shall have a turning radius for a wheelchair user of one thousand five hundred millimetres free of any obstruction.

35. Pathway to a pit latrine room

(1) The pathway shall be without any changes in level to the latrine entrance.

(2) If change in levels occurs, it shall be connected with a horizontal landing area placed at the same level as the interior floor level of the facility.

(3) The size of the landing area shall be one thousand seven hundred millimetres by one thousand five hundred millimetres for easy maneuvering of a wheelchair.

36. Space

(1) Space shall be provided in a pit latrine room for a wheelchair user to place himself or herself outside the swing area of the door.

(2) A change in level to the landing area under this paragraph shall be connected by means of a ramp.

(3) The minimum opening space of an entrance to the pit latrine room when the door is fully opened shall be nine hundred millimetres.

37. Pit latrine room door

(1) A pit latrine room under this Code shall have a smooth running door, with a handle and lock that is easy to operate, smooth running and grasp with one hand.

(2) The distance between the handle and vertical door surface shall be of a minimum of fifty millimetres and shall have a pull back handrail inside the door.

(3) The door shall be outward opening to give enough space inside for a wheelchair user to turn with ease.

(4) A small opening in the door should be provided to allow the door to be opened from outside if needed.

38. Handrails in pit latrine rooms

(1) A pit latrine room under this Code shall have double handrails for support, of diameter of fifty millimetres, fixed on each side of the latrine.

(2) A handrail shall be fixed along one side of the latrine to support a person with disability walking from the doorside to the latrine and the handrail shall be attached to the outside wall for support while opening the door.

39. Pit latrine room seat

(1) A pit latrine room under this Code shall have two twin latrine seats over the latrine hole and each latrine seat shall be identical and have a maximum height of four hundred ten millimetres from floor surface.

(2) The pit latrine room seat shall be made of cemented plastered bricks or concrete and the edges shall not be sharp.

(3) The pit latrine room seat shall be painted for easy cleaning and the paint shall be regularly maintained.

40. Signage

An accessible pit latrine room shall have the universally accepted symbol for wheelchair access displayed outside.

41. Corridors

If there are corridors inside the pit latrine room, the width of the corridors shall be minimum one thousand five hundred millimeters.

42. Holes in pit latrine room

A hole shall be placed high up on the wall of a pit latrine room for ventilation and light.

43. Floor of pit latrine room

The floor surface within the pit latrine room shall be of concrete and non-slippery materials and shall slope towards the latrine hole, from all corners to make sure splashing of water, urine and refuse goes to the hole and does not stay on the floor.

PART IV—MISCELLANEOUS

44. Air lock

A sanitary facility under this Code shall not have an airlock.

45. Non waterborne means of sanitary disposal

(1) Where water-borne sewage disposal is not available other means of sewage disposal shall be used.

(2) Where no wheelchair accessible toilets have been provided, wheelchair accessible means of sanitary disposal shall be provided along an accessible route.

(3) The closet for the purpose of this paragraph shall be—

- (a) of minimum dimension of one thousand nine hundred millimetres by two thousand three hundred millimetres;
- (b) provided with an opening of not less than 0.2m² which will give natural lighting and ventilations of the area; and
- (c) provided with a seat and a receptacle of such height that a space of not more twenty five millimetres is left between the underside of the seat and the top of receptacle.

(4) A seat under subparagraph (3) (c) shall—

- (a) have an aperture at least twenty five millimetres less in every diameter than the corresponding diameter of the top of such receptacle and the aperture shall be fitted with a fly-proof lid;
- (b) be securely fixed in position;
- (c) be loaded-rated to one hundred fifty kilogrammes;
- (d) have a minimum luminance contrast of thirty per cent with the background against which is viewed; and
- (e) be made of materials that are easy to clean.

(5) The closet shall have an area of a diameter of one thousand five hundred millimetres within, which shall be maintained clear of all fittings and fixtures including the line of the door swing, door, grab rail, opening size, floor or waste water trap

46. Auditorium, grandstand and halls

(1) Where a building contains one or more auditoriums or halls fitted with fixed seating, floor space accessible to a person in a wheelchair shall be set aside for the accommodation of a wheelchair in an auditorium or hall.

(2) The space set aside under subsection (1) shall be as prescribed in Figure 13 in the Schedule and be—

- (a) situated adjacent, or in close proximity to an exit door and shall be arranged that a wheelchair will not obstruct an aisle or exit door; and
- (b) of a size sufficient to accommodate a—
 - (i) minimum of one wheelchair where the number of fixed seats for which the auditorium or hall is designed is not more than fifty;
 - (ii) minimum of two wheelchairs where the number of fixed seats for which the auditorium or hall is designed is more than fifty but not more than four hundred seats; and
 - (iii) minimum of three wheelchairs or a number of wheelchairs equal to zero point five per cent of the number of fixed seats for which the auditorium or hall is designed, whichever is greater, where the number of fixed seats exceeds four hundred seats.

(3) Wheelchair positions shall be distributed evenly throughout an auditorium, grandstand or hall and for each wheelchair position a companion seat shall be provided.

(4) Each space available to a wheelchair shall not be less than nine hundred millimetres by one thousand four hundred millimetres and the space shall provide a line of vision of the performance comparable to the full range of seating that is not wheelchair accessible.

47. Controls, switches and power points

(1) The design and construction of the operating controls and devices shall be as prescribed in Figure 12 in the Schedule and shall aim to ensure the independent and safe operation of the control and device by a person with disability.

(2) Operating controls and control devices under subparagraph shall include—

- (a) door handles and locks;
- (b) lever and mixer taps;
- (c) action devices, vending machines, automatic teller machines and vehicle park auto-pay machines;
- (d) window openers and locks; and
- (e) electrical socket outlets and switches.

(3) A security control and light switch shall be horizontally aligned with a door handle and any other fixture or fittings other than socket outlets between nine hundred millimetres and one thousand two hundred millimetres above the finished floor level.

(4) Rocker action or push-pad switches that operate in a vertical plane shall be provided for a person with visual or dexterity impairment.

(5) A push-button of a light switch shall project clear of the switch plate and have a width of at least fifteen millimetres.

(6) A general –purpose socket outlet or power point shall be fixed at least 500 millimetres above the finished floor level, 1500 millimetres above the worktop and at least four hundred and fifty millimetres from the corners.

(7) An emergency control and any other control shall show its effective operation so it can include a person with hearing loss.

(8) There shall be provided a movable ramp to enable wheelchair users access switches, security control and power points in other circulation areas.

48. Warning signal

An emergency warning signal including one in mechanical circulation installations shall be visible and audible to enable access for the blind.

49. Lighting

(1) The lighting in a building under this Code shall be uniform.

(2) The lighting levels shall not cause glare or shadows that would give rise to optical illusions.

(3) Ceiling mounted light fittings with diffusers shall be positioned longitudinally at centre of an accessible route.

(4) The lighting levels of the accessible routes and related accessible spaces shall allow for a person with visual impairment to carry out day-to-day tasks.

(5) An alternative light source shall be provided to illuminate a space.

(6) Where motion-sensor type lighting switched are used within a wheelchair accessible toilet, the following requirements shall be complied with—

(a) a switch controller shall be equipped for fail safe operation;

(b) illumination timer shall be set for a minimum of thirty minute duration;

(c) the sensor shall be appropriately located and easily activated by occupant movement in the toilet.

50. Non-compliance

A person who does not comply with the provisions of this Code shall not be issued with an occupation permit.

SCHEDULE

FIGURE 1- SIGNAGE

Paragraph 4

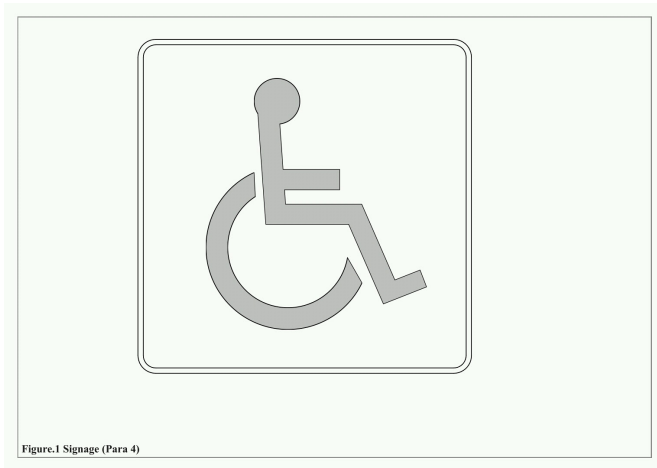


FIGURE 2- PARKING AND ACCESSIBLE ROUTE

paragraphs 5,6

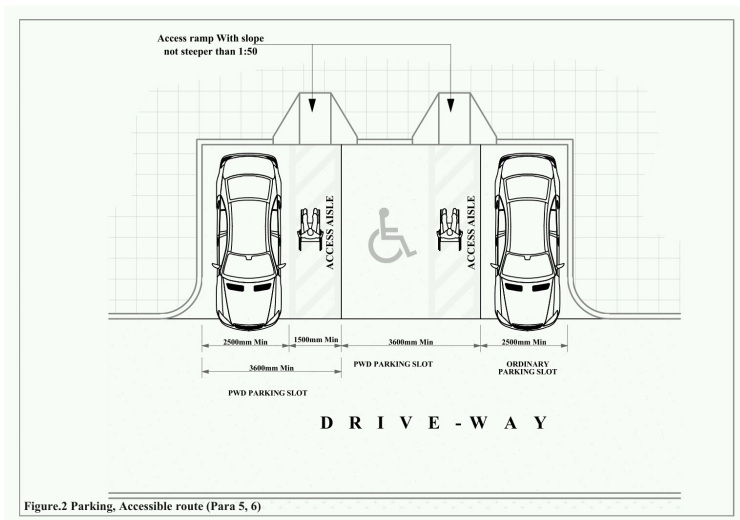


FIGURE 3—TURNING SPACE

Paragraph 7

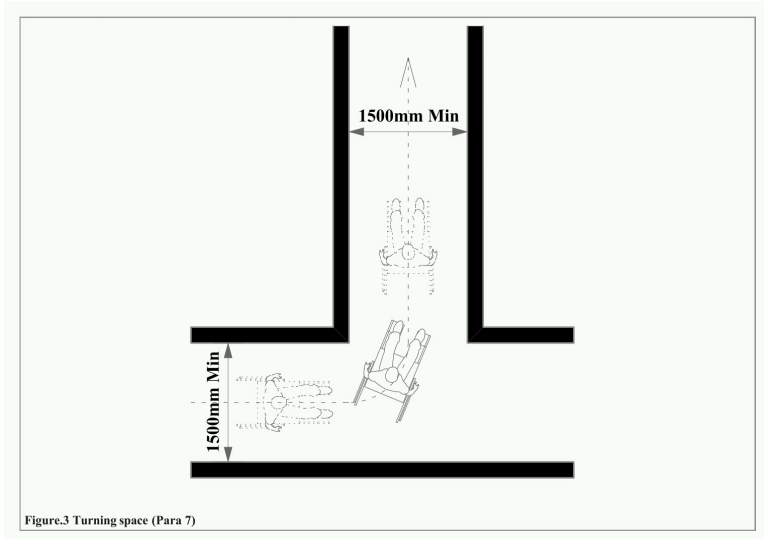


FIGURE 4- OBSTRUCTION IN PATH OF TRAVEL

paragraphs 7,8

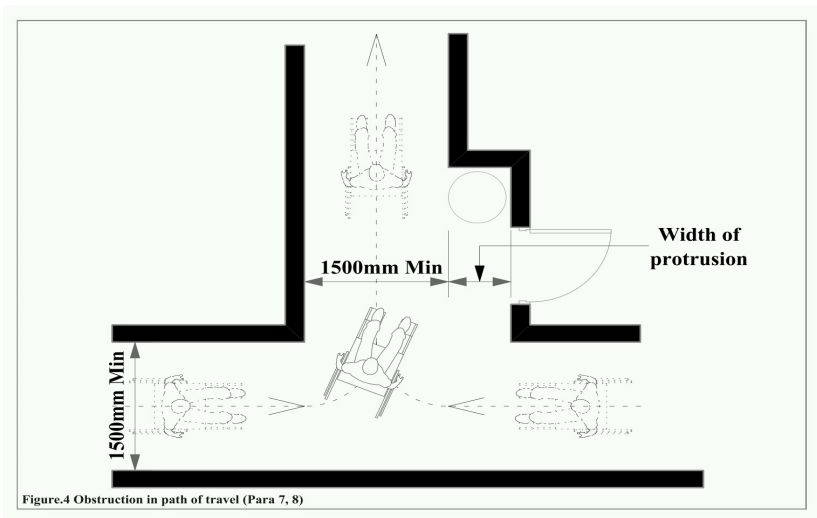


FIGURE 5- OBSTRUCTION IN PATH OF TRAVEL

Paragraph 8

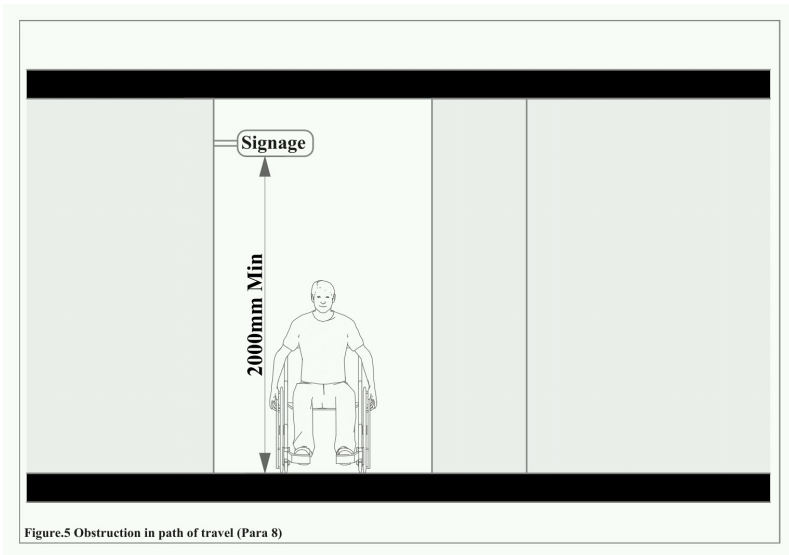


FIGURE 6- DOORWAY AND DOOR

paragraph 10

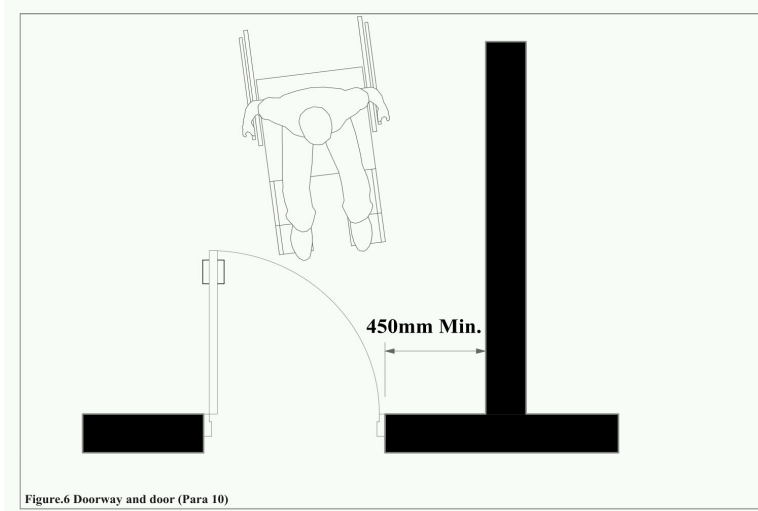


FIGURE 7 – DOORWAY AND DOOR

paragraph 10

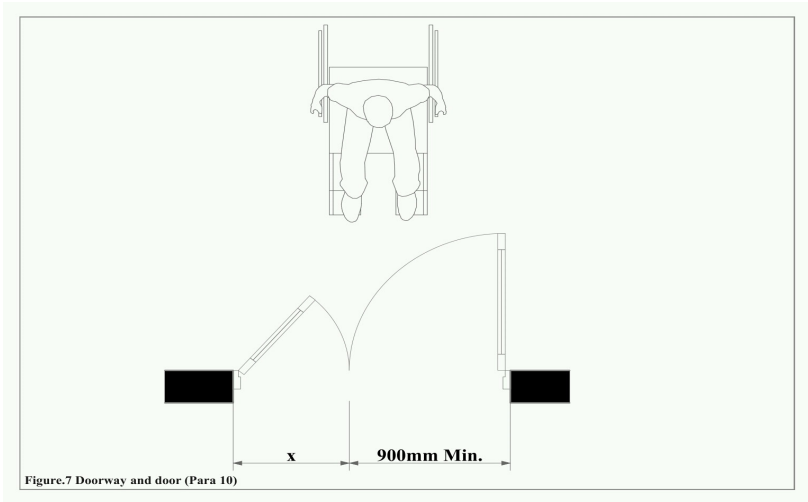


FIGURE 8- DOORWAY AND DOOR

paragraph 10

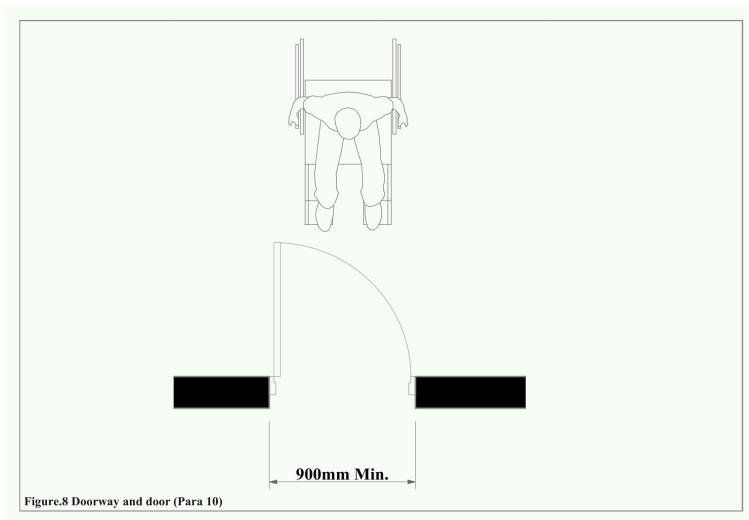


FIGURE 9- DOORWAY AND DOOR

paragraph 10

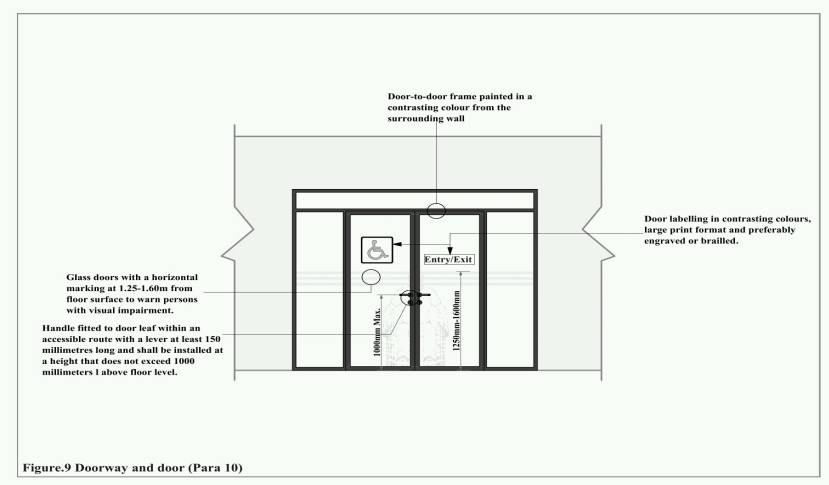


FIGURE 10- RAMPS AND HANDRAILS

paragraphs 12 and 14

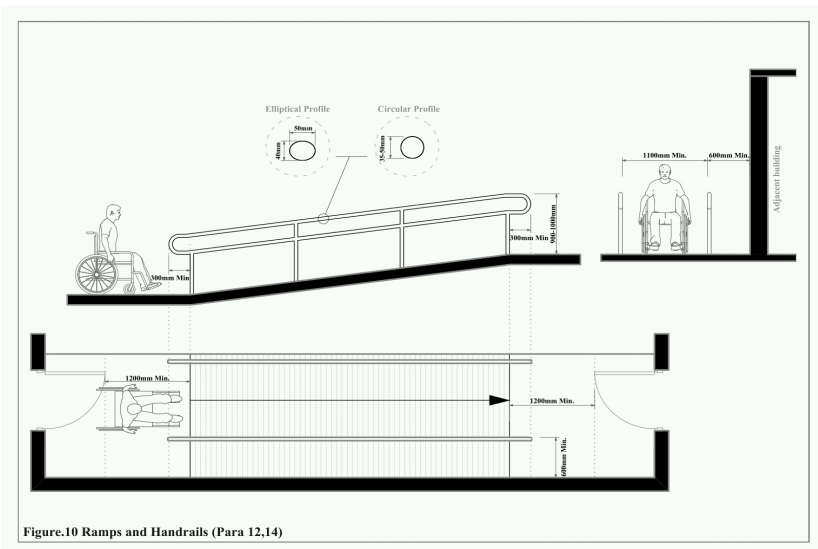


FIGURE 11- WHEELCHAIR-ACCESSIBLE TOILET

paragraph 17

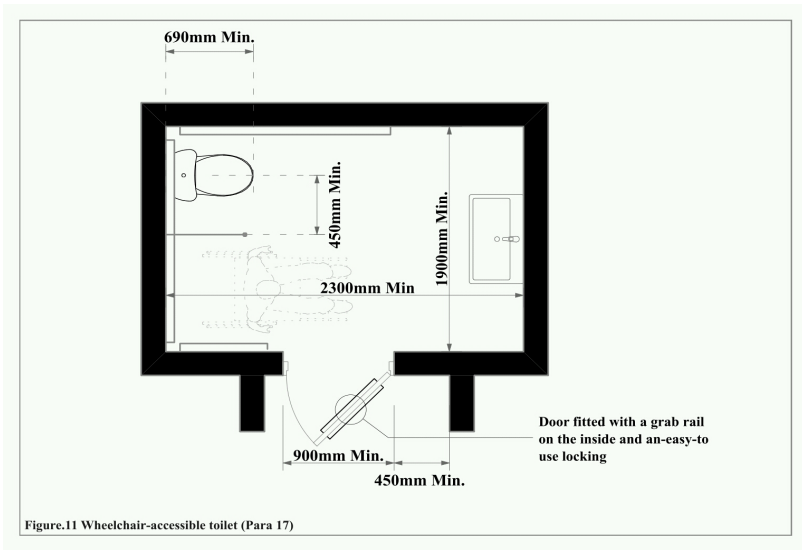


FIGURE 12- CONTROLS, SWITCHES AND POWER POINTS

paragraph 46

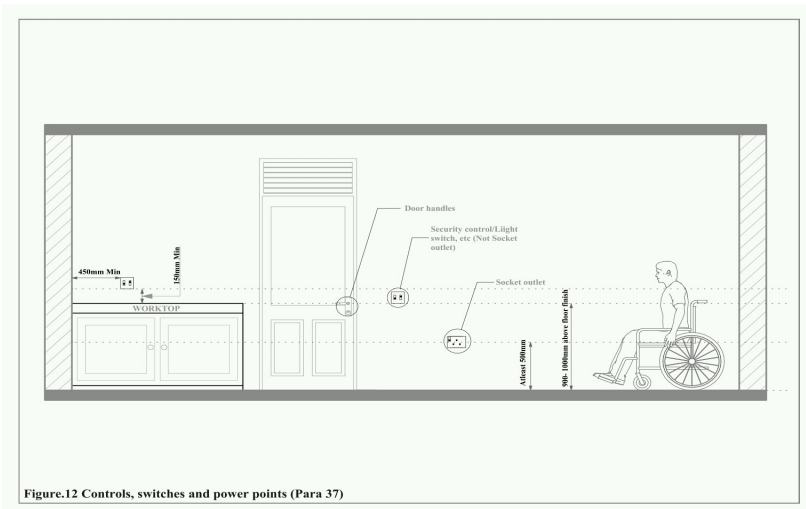


FIGURE 13- AUDITORIUM, GRANDSTAND AND HALLS

paragraph 45

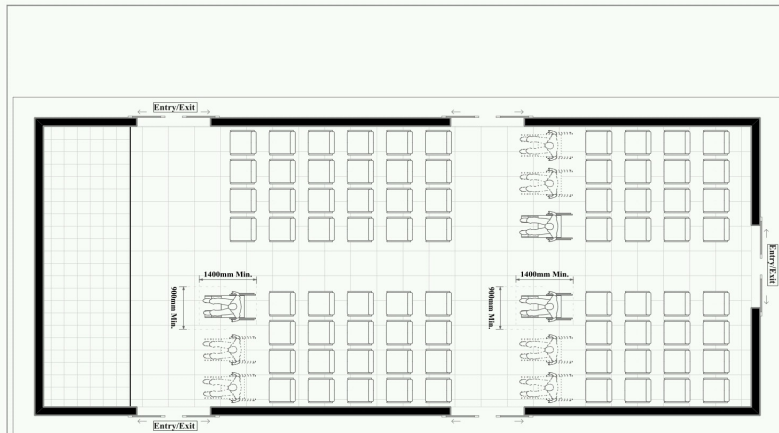


Figure.13 Auditorium, grandstand and halls (Para 36)

HON. MONICA AZUBA NTEGE,
Minister of Works and Transport.